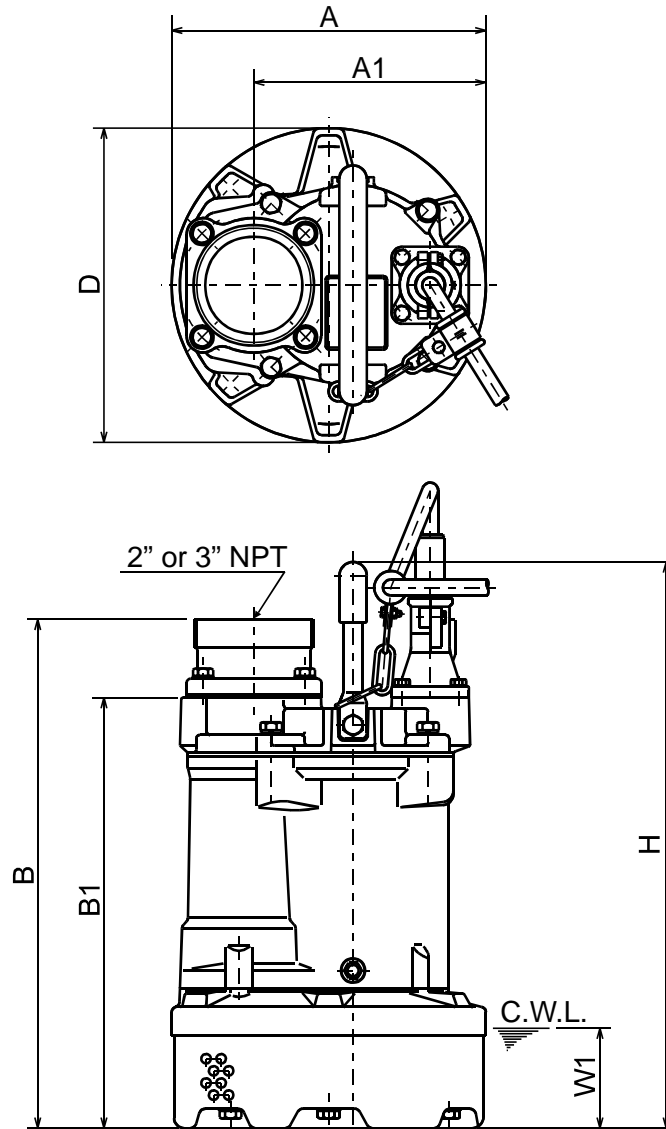




KTV - SERIES SEMI-VORTEX - DEWATERING PUMPS

DIMENSIONS

**KTV2-37H
KTV2-37
KTV2-55**



C.W.L. : Continuous running Water Level

DIMENSIONS:USCS (Inch)

Model	HP	NOM. SIZE	Pump & Motor						C.W.L.	Wt. (lbs.)
			A	A1	B	B1	D	H	W1	
KTV2-37H	5	2"	11 1/4	8 5/16	17 11/16	15 1/4	11 1/4	20 1/16	3 1/2	79
KTV2-37	5	3"	11 1/4	8 5/16	17 11/16	15 1/4	11 1/4	20 1/16	3 1/2	79
KTV2-55	7.5	3"	11 13/16	9	19 1/8	16 5/8	11 13/16	21 7/16	3 1/2	104

DIMENSIONS:METRIC (mm)

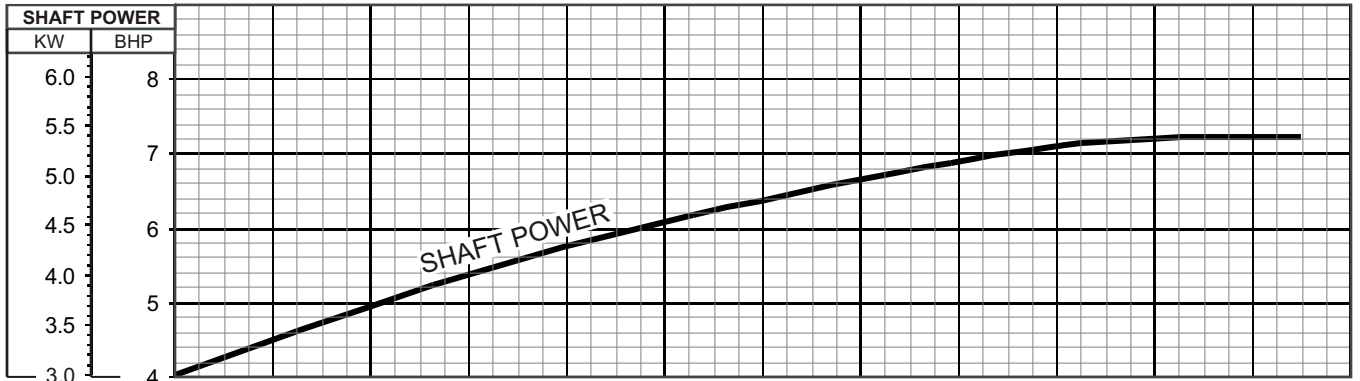
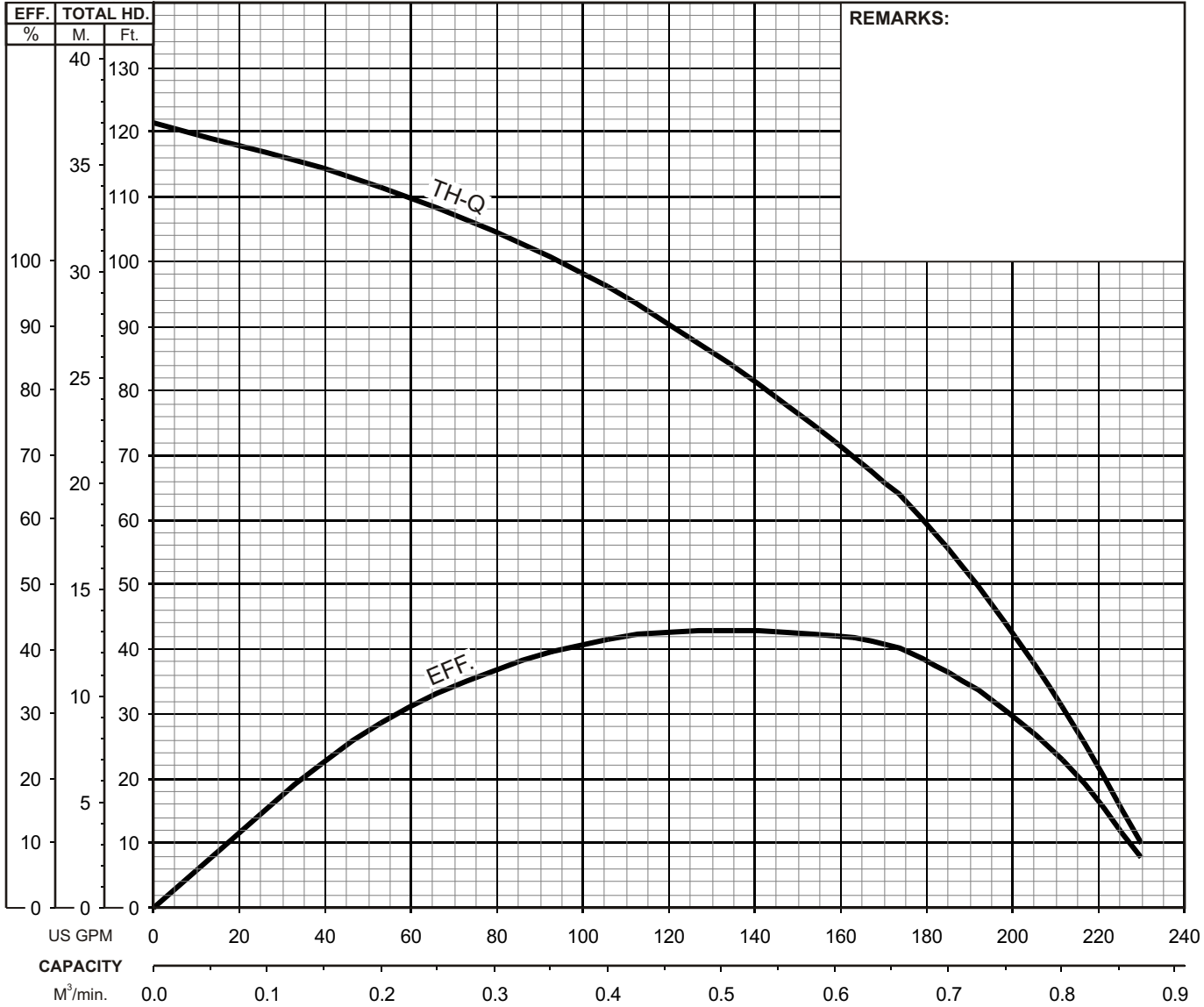
Model	kW	NOM. SIZE	Pump & Motor						C.W.L.	Wt. (kg)
			A	A1	B	B1	D	H	W1	
KTV2-37H	3.7	50	285	211	450	387	285	510	90	36.0
KTV2-37	3.7	80	285	211	450	387	285	510	90	36.0
KTV2-55	5.5	80	300	229	485	422	300	545	90	47.0



KTV - SERIES SEMI-VORTEX - DEWATERING PUMPS

PERFORMANCE CURVE

MODEL	BORE	HP	KW	RPM	SOLIDS DIA	LIQUID	SG.	VISCOSITY	TEMP.
KTV2-55	3"/80mm	7.5	5.5	3435	0.334"/8.5mm	Water	1.0	1.123 cSt.	60°F
PUMP TYPE	PHASE	VOLTAGE	AMPERAGE		HZ	STARTING METHOD	INS. CLASS		
Semi-Vortex - Dewatering Pump	3	208 / 230 / 460 / 575	21.5 / 19.0 / 9.5 / 7.5		60	Direct On Line	E		
CURVE No.	DATE	PHASE	VOLTAGE	AMPERAGE	HZ	STARTING METHOD	INS. CLASS		
-	-	-	-	-	-	-	-		



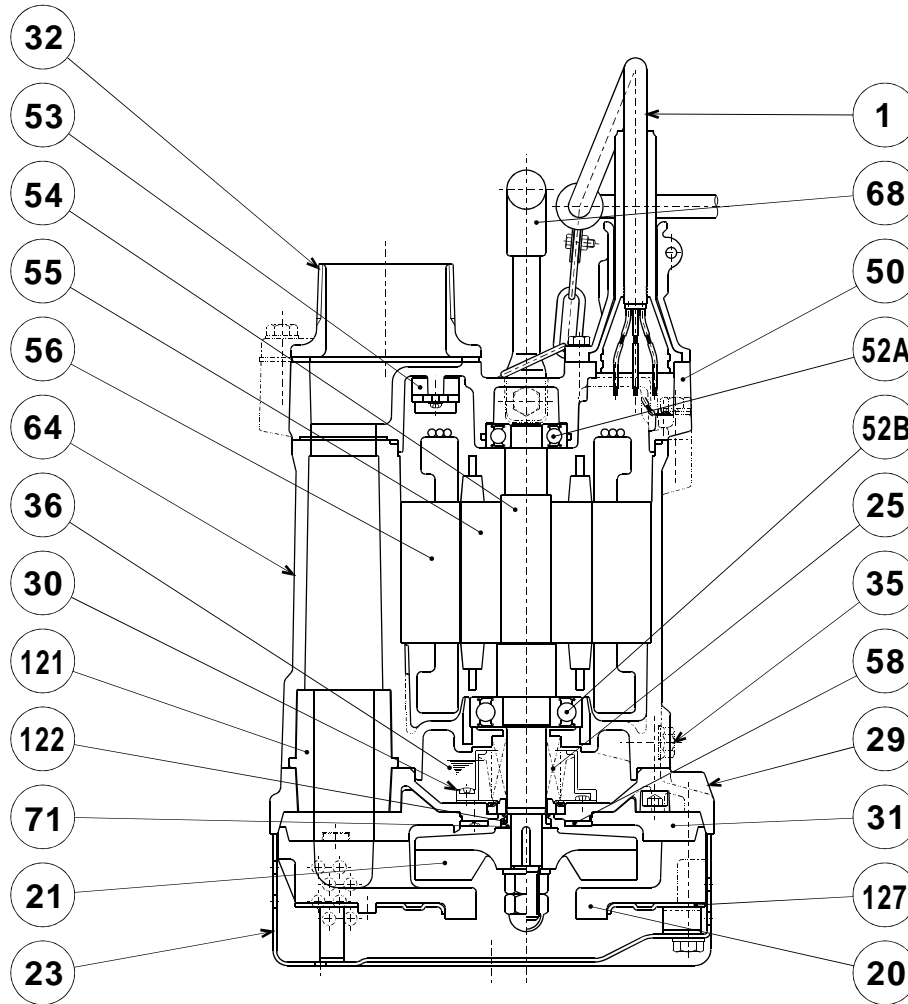


TSURUMI PUMP

**KTV - SERIES
SEMI-VORTEX - DEWATERING PUMPS**

SECTIONAL VIEW

KTV2-55



ITEM#	DESCRIPTION	MAIN MATERIAL / NOTE	ASTM, AISI CODE		Q'TY
1	Power Cable	Chloroprene Sheath AWG12/4-50ft			1
20	Pump Casing	Butadiene Rubber + Natural Rubber			1
21	Impeller	Ductile Cast Iron	A536 100-70-03	EN 1563 GJS-700-2	1
23	Suction Strainer	Steel (Cold Rolled)	A109/A1008	EN 10130	1
25	Mechanical Seal	Silicon Carbide / H-25T			1
29	Oil Casing	Aluminum Alloy Die Casting	B85 A383,0	EN1706 AC-46100	1
30	Oil Lifter	PBT Resin			1
31	Wear Ring	Butadiene Rubber + Natural Rubber			1
32	Discharge Connection	Cast Iron / NPT 3"	A48M Class30B	EN 1561 GJL-200	1
35	Oil Plug	Stainless Steel	S 30400	1.4301	1
36	Lubricant	Turbine Oil ISO VG32 or SAE10W-20			
50	Motor Head Cover	Aluminum Alloy Die Casting	B85 A383,0	EN1706 AC-46100	1
52A	Upper Bearing	#6305ZZC3			1
52B	Lower Bearing	#6307ZZC3			1
53	Motor Protector				1
54	Shaft	Stainless Steel	S 40300	1.4000	1
55	Rotor				1
56	Stator				1
64	Motor Housing	Aluminum Alloy Die Casting	B85 A383,0	EN1706 AC-46100	1
68	Handle	Steel (Cold Rolled) + Nitrile Butadiene Rubber	A109/A1008	EN 10130	1
71	Shaft Sleeve	Stainless Steel	S 30400	1.4301	1
121	Duct Sleeve	Styrene Butadiene Rubber			1
122	V-Ring	Nitrile Butadiene Rubber			1
127	Fixing Plate	Steel (Cold Rolled)	A109/A1008	EN 10130	1

PARTS LIST		LIGHTWEIGHT DEWATERING PUMP			4/10/2019	
ITEM	PART No.	DESCRIPTION	QTY	SIZE	MATERIAL	NOTES
1	001-376-32	Cable Set (50') 60Hz(USA)	1	2PNCTF4Cx3.5mm2	KTV	interchangable w/OLD# 001-309-34
2	010-121-19	Cable Clip Rubber	1	No.1	NBR	
3	140-032-37	Hex.Bolt	1	M6x15	SWRM	
4	010-120-18	Cable Clip	1	No.2-1	SPC	
5	141-004-33	Hex.Nut	1	M6	S35C	
6	095-131-18	Chain	1	4mm(3L)	SS	
7	140-418-15	Hex.Bolt	4	M8x25(B=12)	SUS304	
8	142-210-11	Plain Washer	4	d8.6xd13.4x1t	SUS304	
9	140-033-12	Hex.Bolt	2	M6x16	SUS304	included in ITEM#1 Cable Ass'y
10	003-122-24	Stuffing Box 60Hz(USA)	1	No.1-1(w/Clamp)	ADC	included in ITEM#1 Cable Ass'y
11	008-122-16	Mould Cover 60Hz(USA)	1	No.1-7	CR	included in ITEM#1 Cable Ass'y
12	009-123-10	Terminal	4	P-5.5	CU	included in ITEM#1 Cable Ass'y
13	009-101-12	Terminal(C/W Screw)	4	d12x(d6.6xd6.6)x25l	C3604	
14	009-123-10	Terminal	3	P-5.5	CU	
15	002-135-14	Heat Shrink Tube (Sold per meter)	m	A(d15x0.3t)	(Vm)	
16	002-132-11	Heat Shrink Tube (Sold per meter)	m	A4(d17x0.27t)	(Vm)	
17	143-085-34	Pan Screw (w/Spring Washer)	1	M4x6	C3604	
18	009-182-17	Earth Terminal	1Set	2mm2x120L		
19	140-507-12	Hex.Bolt (w/Spring Washer/Plain Washer)	4	M10x35	SUS304	
21	032-161-12	Hose Coupling (for USA)	1	NPT-3(GH-22L)	FC	
22	121-141-15	Packing	1	KRB-3/4	NBR	*
23	068-000-20	Handle	1	KTV2-37	SGP+NBR	
24	142-164-19	Spring Washer	2	M10	SUS304	
25	140-074-15	Hex.Bolt	2	M10x20	SUS304	
26	140-078-19	Hex.Bolt	4	M10x35	SUS304	
27	142-164-19	Spring Washer	4	M10	SUS304	
28	142-128-11	Plain Washer	4	M10	SUS304	
29	050-406-18	Motor Bracket	1		ADC	
30	142-197-11	Wave Washer	1	6305	SK5	
31	122-244-12	O-Ring	1	61.4xd3.1	NBR	*
32	052-108-13	Bearing	1	6305ZZC3		
33	053-418-12	Motor Protector 220V-60Hz(USA)	1	KA314-HKZL00	(H)	
	053-440-13	Motor Protector 440V-60Hz(USA)	1	KA314-HRXL00	(H)	
		Motor Protector 575V-60Hz(USA)	1			
34	143-136-15	Truss Screw	2	M4x10	SWRM	
35A	016-144-19	Rubber Ring	1		NBR	
35	058-170-14	Lead Wire Protection Plate	1	d80xd170x1.6t	Bakelite	
36	056-694-13	Stator 220V-60Hz(USA)	1Set			DISCONTINUED

PARTS LIST		LIGHTWEIGHT DEWATERING PUMP				4/10/2019
ITEM	PART No.	DESCRIPTION	QTY	SIZE	MATERIAL	NOTES
	056-728-17	Stator 440V-60Hz(USA)	1Set			
		Stator 575V-60Hz(USA)	1Set			
37	145-030-14	Stator Set Pin	1	d8x40	S45C	
38	055-679-19	Rotor	1Set	w/Bearing		
39	147-129-17	Impeller Key	1	5x5x22L	SUS403	
40	122-410-11	O-Ring	1	190xd3.8	NBR	*
41	121-456-16	Packing (Water Way, Upp.)	1	KTV2-55	NBR	*
42	064-472-18	Motor Frame	1		ADC	
43	121-247-12	Packing	1	d12.3xd18x2t	PE	*
44	140-000-17	Hex.Bolt (w/Flange)	1	M12x15(Oil Plug)	SUS304	
45	061-170-14	Bearing Collar	1	d35.1xd46x2t	SPCC	
46	140-029-28	Hex.Bolt	3	M6x10	SWRM	
47	062-219-19	Bearing Cover	1	P.C.94xd70x2.3t	SPCC	
48	052-110-18	Bearing	1	6307ZZC3		
49	122-133-17	O-Ring	1	G-110(109.4xd3.1)	NBR	*
50	060-000-85	Bearing Housing	1		ADC	
51	142-127-23	Plain Washer	4	M8	SPC	
52	140-054-48	Hex.Bolt	4	M8x20	SWRM	
53	143-070-23	Pan Screw	2	M5x6	SWRM	
54	030-143-12	Oil Lifter	1	H-25(A)(T)	Resin	
55	025-001-00	Mechanical Seal	1	H-25T (RoHS)	SiC	supercedes 025-000-07
56	143-070-10	Pan Screw	2	M5x6	SWRM	
57	030-152-14	Seal Stopper	1	H-25(A)(T)	SPCC	
58	121-451-24	Packing (Water Way, Low.)	1	KTV2-55	SBR	*
59	122-285-15	O-Ring	1	155xd3.1	NBR	*
60	029-000-79	Oil Casing	1	KTV2-55	ADC	
61	140-288-14	Hex.Socket Cap Bolt	4	M10x35	SUS304	
62	031-000-10	Wear Ring	1	KTV2-55	BR+NR	
63	058-000-26	Protection Plate	1	d36xd85x3t	SUS304	
64	143-166-14	Flat Screw	2	M4x8	SUS304	
65	122-444-14	V-Ring	1	VR-25	NBR	
66	071-298-10	Shaft Sleeve	1	d20xd25x9l	SUS304	
67	021R4914	Impeller (60Hz)	1	KTV2-55	FCD	
68	142-130-16	Plain Washer	1	M16	SUS304	
69	141-008-11	Hex.Nut	1	M16	SUS304	
70	141-033-15	Hex.Cap Nut	1	M16	SUS304	
71	020-891-37	Pump Casing (New)	1	KTV2-55	BR+NR	
72	127-252-18	Fixing Plate (New)	1	KTV2-55	SPCC	

PARTS LIST		LIGHTWEIGHT DEWATERING PUMP				4/10/2019
ITEM	PART No.	DESCRIPTION	QTY	SIZE	MATERIAL	NOTES
73	023-444-14	Strainer Stand	1	KTV2-55	SPCC	
74	142-128-11	Plain Washer	6	M10	SUS304	
75	140-091-18	Hex.Bolt	6	M10x100	SUS304	
	173-492-15	Packing O-Ring Set	1Set	(Marked by *)		
22	121-141-15	Packing (Hose Coupling)	1	KRB-3/4	NBR	*
31	122-244-12	O-Ring (Upp. Bearing)	1	61.4xd3.1	NBR	*
40	122-410-11	O-Ring (M.Bracket/M.Frame)	1	190xd3.8	NBR	*
41	121-456-16	Packing (Water Way, Upp.)	1	KTV2-55	NBR	*
43	121-247-12	Packing (Oil Plug)	1	d12.3xd18x2t	PE	*
49	122-133-17	O-Ring (M.Frame/Brg.Housing)	1	G-110(109.4xd3.1)	NBR	*
58	121-451-24	Packing (Water Way, Low.)	1	KTV2-55	SBR	*
59	122-285-15	O-Ring (M.Frame/O.Casing)	1	155xd3.1	NBR	*
		Lubricant		Turbine Oil VG32 680ml		

PARTS LIST		LIGHTWEIGHT DEWATERING PUMP			4/10/2019	
ITEM	PART No.	DESCRIPTION	QTY	SIZE	MATERIAL	NOTES

EXPLODED VIEW KTV2 55

